

DC500 Cam-Motion® DC700 Cam-Motion®

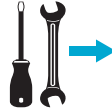
Installation Instructions

ASSA ABLOY

6001010



www.assaabloy.com/dop



DoP

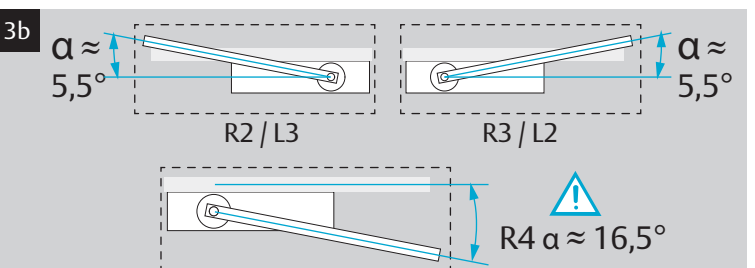
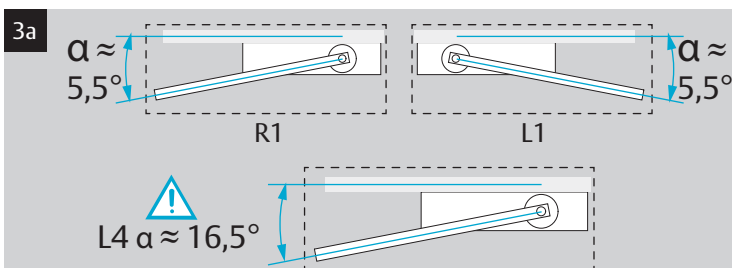
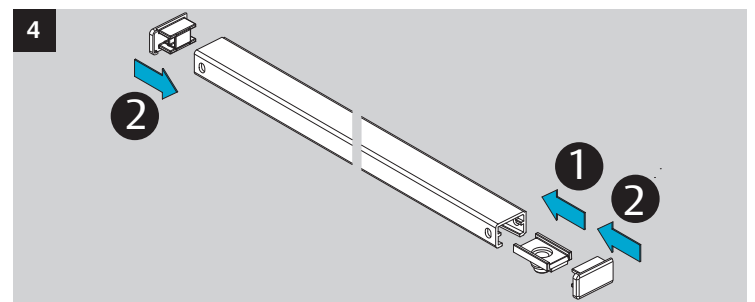
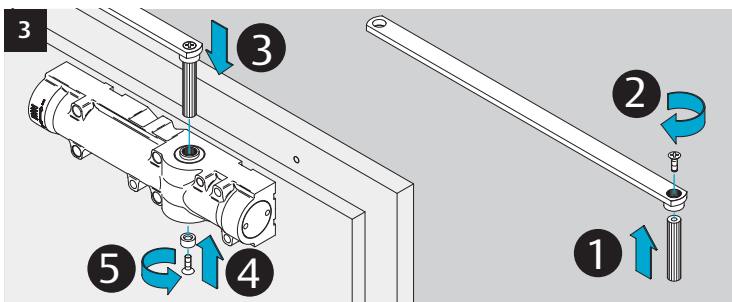
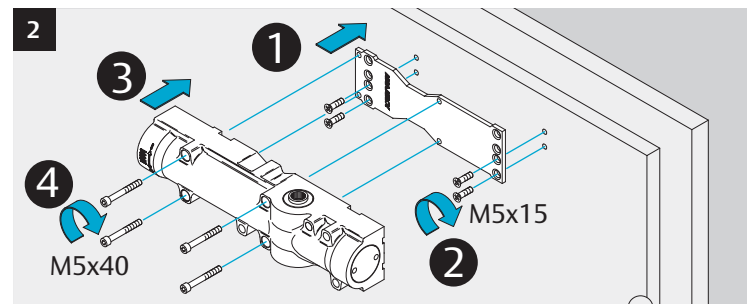
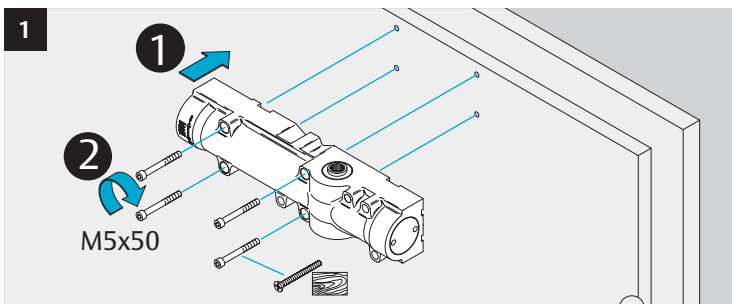
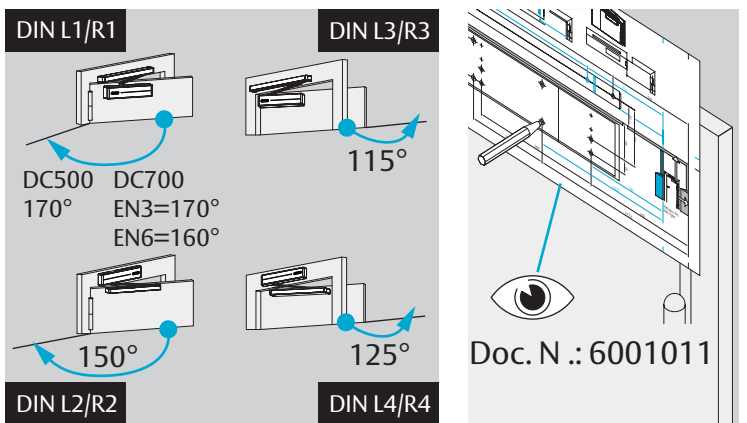
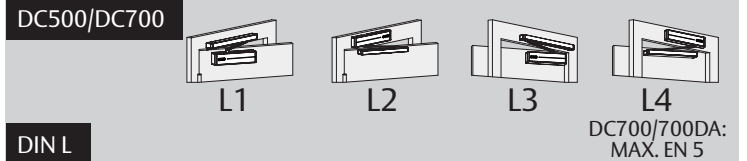
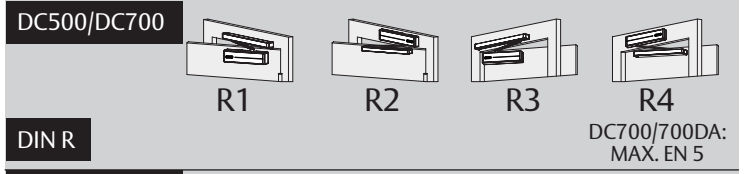
www.assaabloy.com/dop

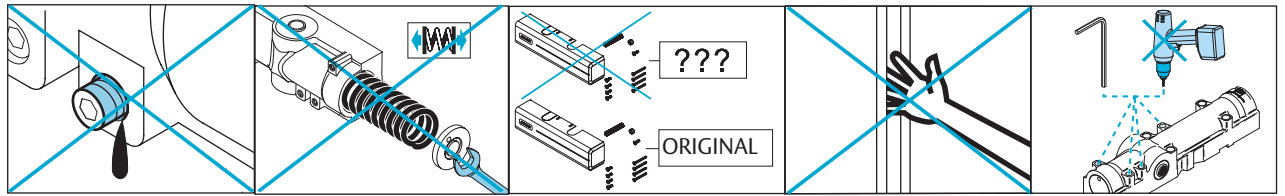
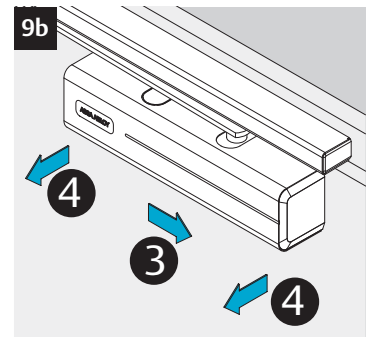
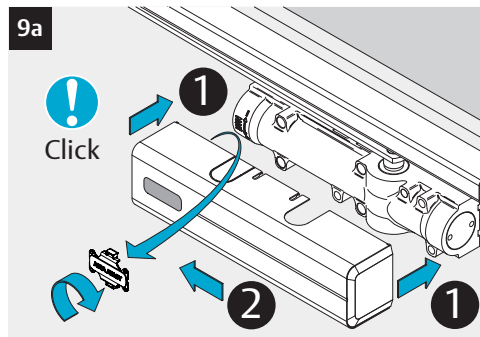
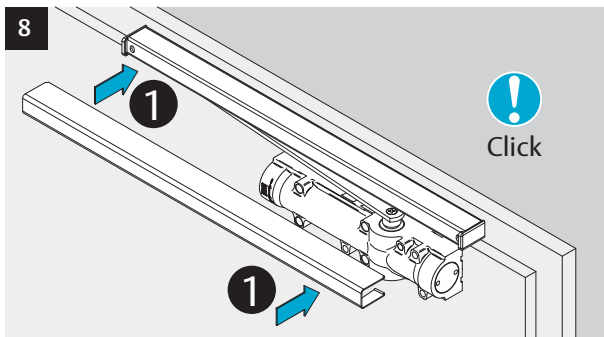
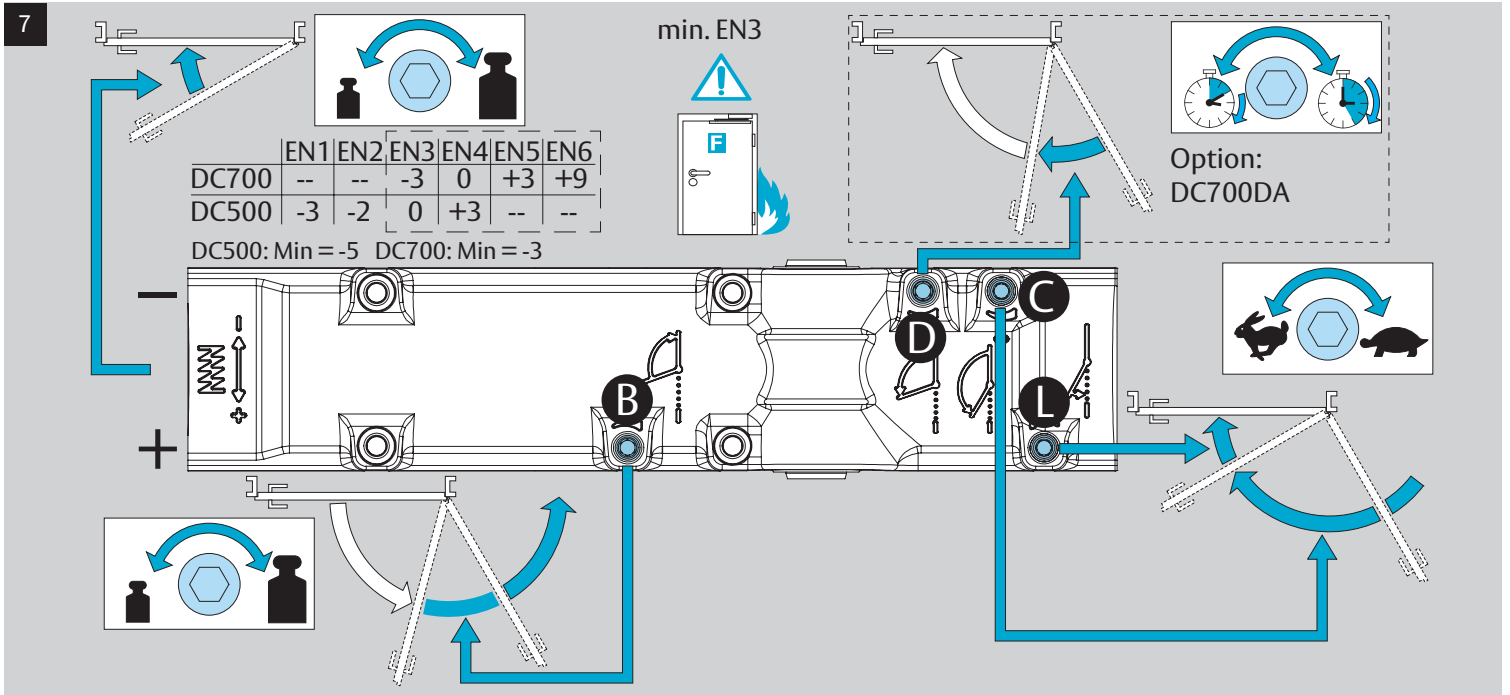
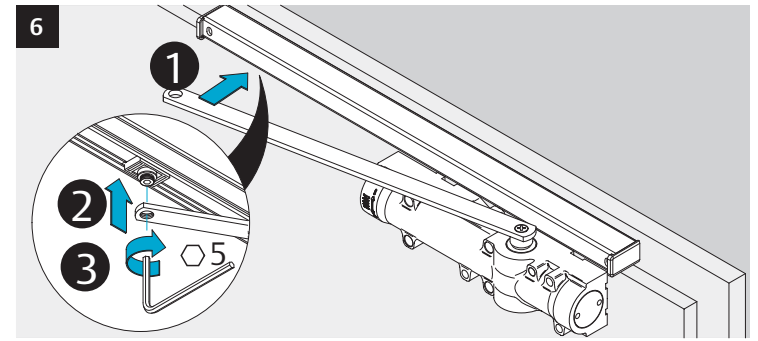
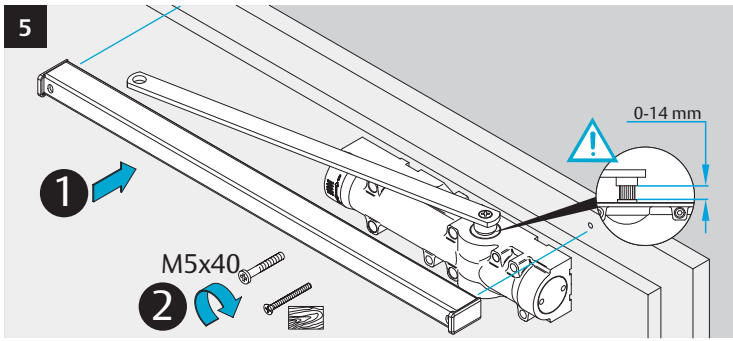
	Abloy Oy, PO Box 108 80101 Joensuu Finland			16
DC500	EN 1154:1996/A1:2002/AC:2006 1121-CPR-AD5241	3	8	4
Dangerous substances: None				

	Abloy Oy, PO Box 108 80101 Joensuu Finland			16
DC700	EN 1154:1996/A1:2002/AC:2006 1121-CPR-AD5238	3	8	6
Dangerous substances: None				

	Abloy Oy, PO Box 108 80101 Joensuu Finland			16
DC700DA	EN 1154:1996/A1:2002/AC:2006 1121-CPR-AD5239	3	8	6
Dangerous substances: None				

	EN1	< 750mm
	EN2	< 850mm
	EN3	< 950mm
	EN4	< 1100mm
	EN5	< 1250mm
	EN6	< 1400mm





ASSA ABLOY

Abloy Oy
 P.O.Box 108
 80101 Joensuu
 FINLAND
 Tel.: +358-20 599 2501
 Fax: +358-20 599 2209
 www.assaabloy.com
 www.abloy.com/dop

4.5.2020